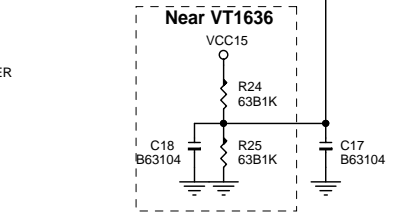
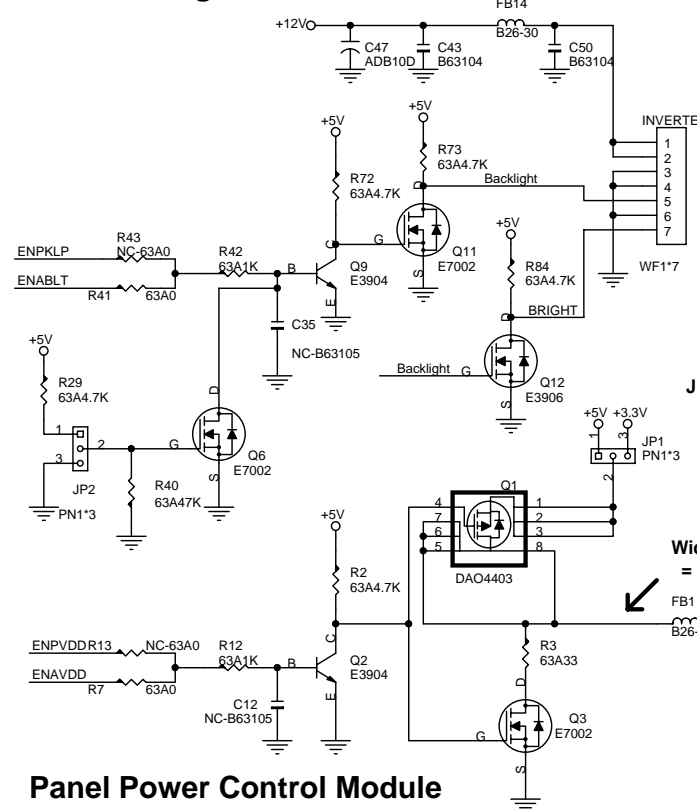
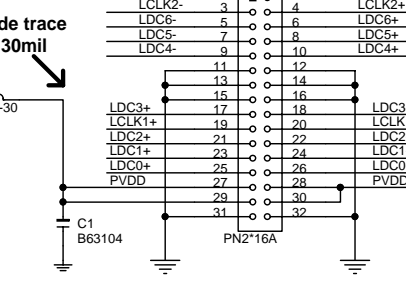


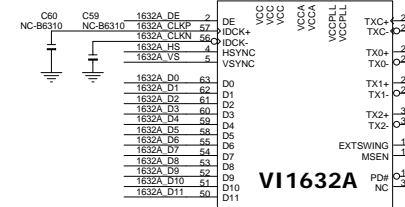
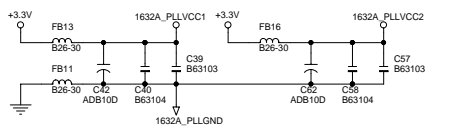
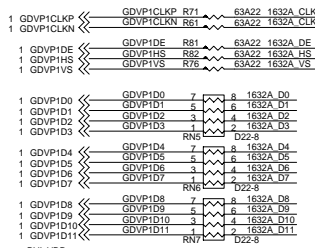
### Panel Backlight Control Module



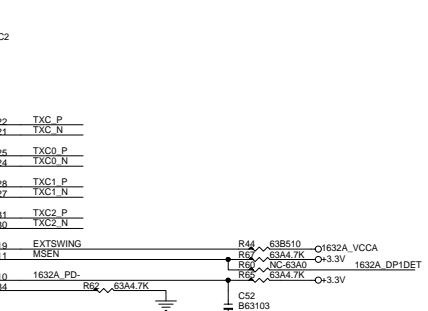
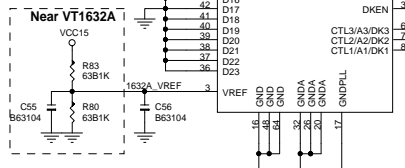
JP1: 1-2 : PVDD = 5V  
2-3 : PVDD = 3.3V



### Panel Power Control Module



**VI1632A**



	High(OFF)	Low(ON)
EDGE	Rising Edge	Falling Edge
ISEL	I2C Active	I2C Inactive
DSEL	Dual Edge	Single Edge
BSEL	24bit Mode	12bit Mode

	Default setting
A3	Pull high(OFF)
A2	Pull down(ON)
A1	Pull down(ON)
DKEN	Pull high(OFF)

(Default)Software Control:(Address 10H) Hardware Control:  
 ISEL = High, DKEN = High ISEL = Low, DKEN = Low  
 A3=High, A2=Low, A1=Low A3=Low, A2=Low, A1=Low

