



Product specification

Customer name	
Product	CPU COOLER
Designed for	LGA775/115X/1200/1700
Part no.	AK-CC7401BP01
Issue date	2022/4/20
Spec No.	DFB751512H
Version	V1.0

Customer Approved By	Check	Inspect	Design
			Leo Liao

鍊立康科技股份有限公司

新北市三重區中山路 379 號 13 樓之 5

Akasa (Asia) Corp.

13F.-5, No.379, Zhongshan Rd., Sanchong Dist., Xinbei City 241, Taiwan (R.O.C.)

TEL:+886-2-2999-6289

FAX:+886-2-2999-6228

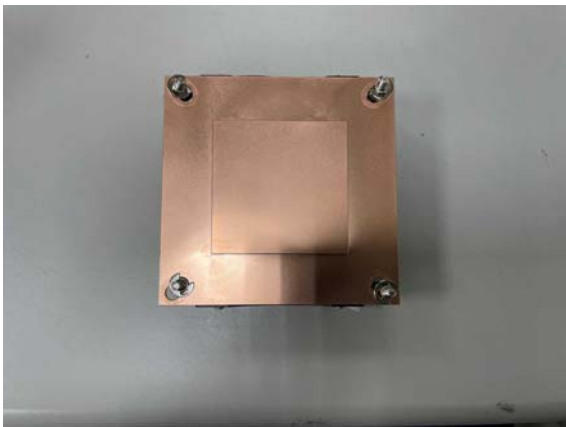
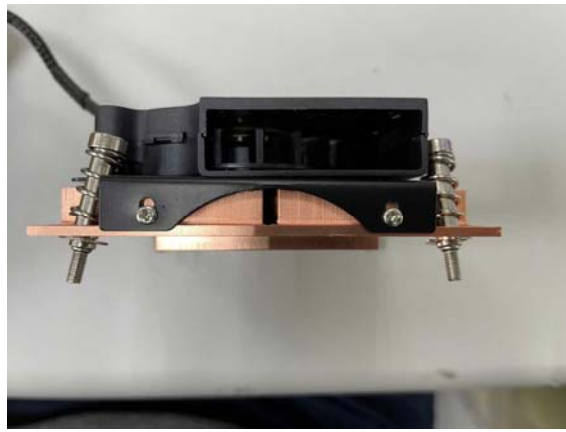
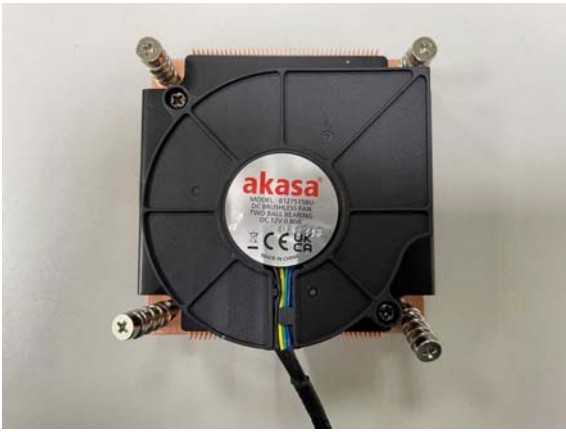
sales@akasa.com.tw

www.akasa.com.tw

Content

1. Product photo and dimension -----	3
2. Specification-----	4
A.General Specification	
B.Fan Dimension	
C.Heatsink Specification	
3. Product dimension-----	5
4. Fan dimension-----	6
5. Back plate dimension-----	7
6. Screw dimension-----	8
7. Spring dimension-----	9
8. Thermal grease specification-----	10~14
9. Package information-----	15

Product photo and dimension



Product Specification

A. General Specification

(Item)		(Specification/Condition)
01	Part No.	AK-CC7401BP01
02	Outline	88 X 87X 30.5mm
03	Weight	447g

B. Fan Specification

(Item)		(Specification/Condition)	
01	Part No.	DFB751512H	
02	Bearing System	Two Ball Bearing	
03	Outline Dimension	75X77X15mm (round)	
04	Rated Voltage	DC12V	
05	Starting Voltage	DC 10.8V	
06	Rated Current	0.8A	A. Rated Voltage
07	Power Consumption	9.6W	B. 25 c.65% RH
08	Speed	1200 ± 300R.P.M	A. 25 c.65% RH
		5500 ± 10% R.P.M	B. Free Air C. Rated Voltage
09	Max Airflow	11.83CFM(ft /min)	A. Rated Voltage B. AMCA(Standard)
10	Max Static Pressure	20.66 mm H2O	C. Rated Current
11	Noise Level	45.99dB(A)	A. Rated Voltage B. Measured in a Non-Echo Chamber C. CNS 8753 Standard D. ISO 3744 Test Condition
12	Life	80000/hrs 25 °C	MTTF Mean Time to Failure Conf. Level 90%
13	No. Of Blade	21 Blades	
14	No. Of Pole	4 Poles	
15	Weight	55.6g	
16	Rotating Direction	Counter-Clockwise	
17	Safety Approval	CE	
18	Tolerance	±15%	
19	Lead Wire	UL1061 26AWG (-)Black (+)Yellow (FG)Green (PWM)Blue	

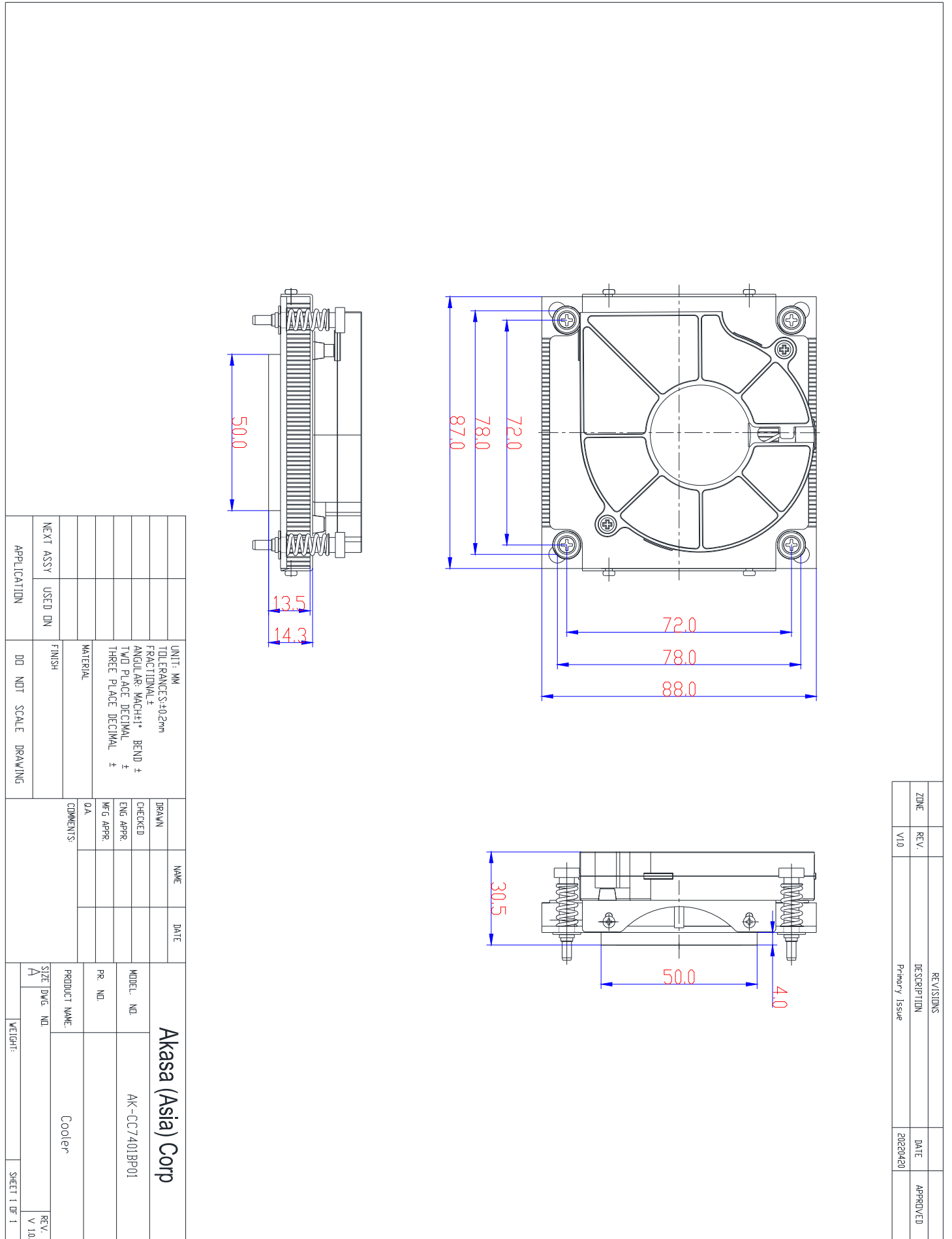
C. Heatsink Specification

(Item)		(Specification/Condition)
01	Dimension	88X87X14.3 mm
02	Material	Pure Copper

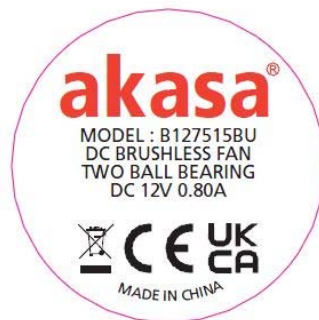
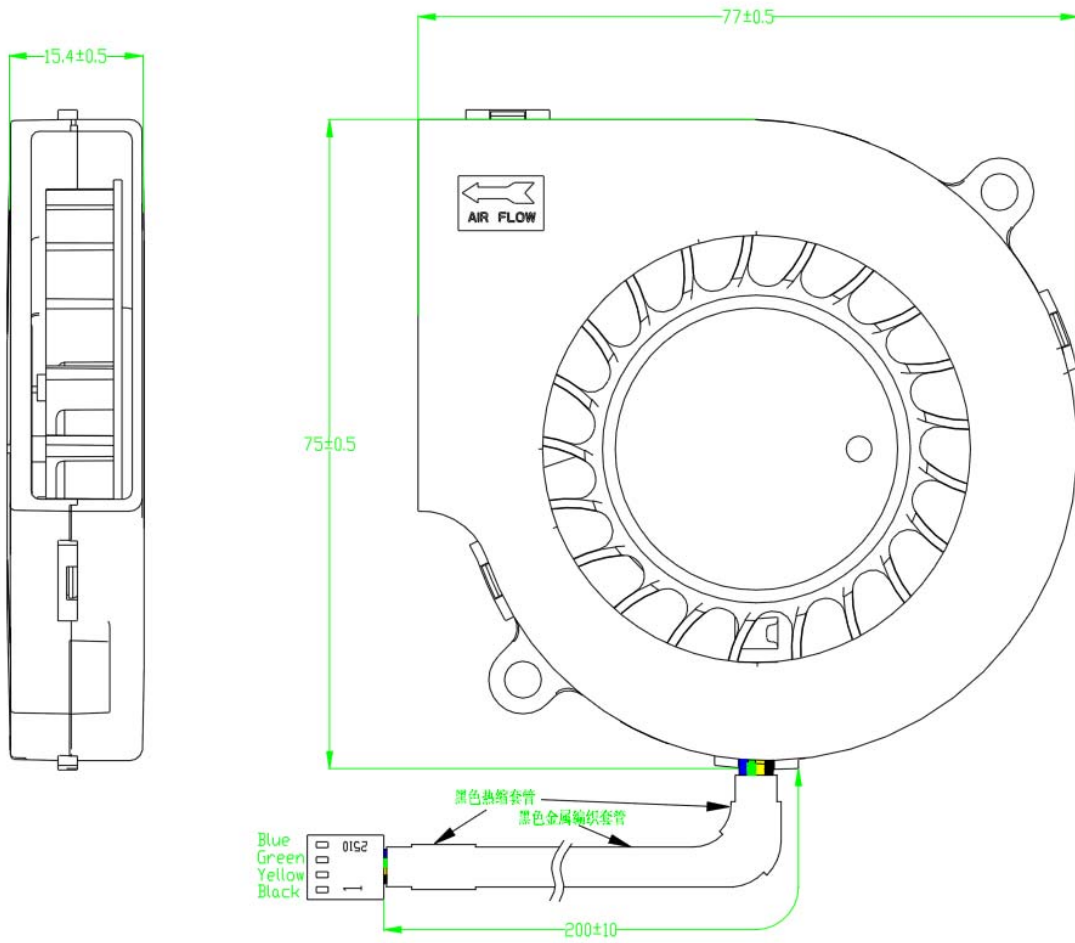
D. Thermal Interface Specification

(Item)		(Specification/Condition)
01	name	SC102
02	Package form	1 pack
03	Color	white

Product Dimension



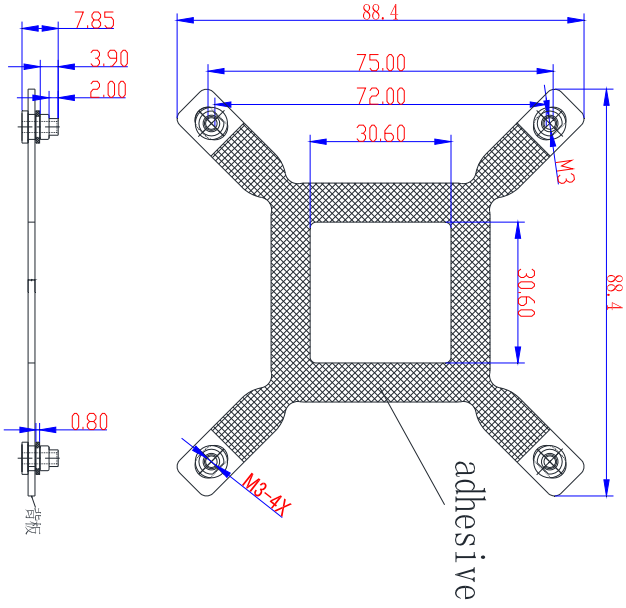
Fan Dimension



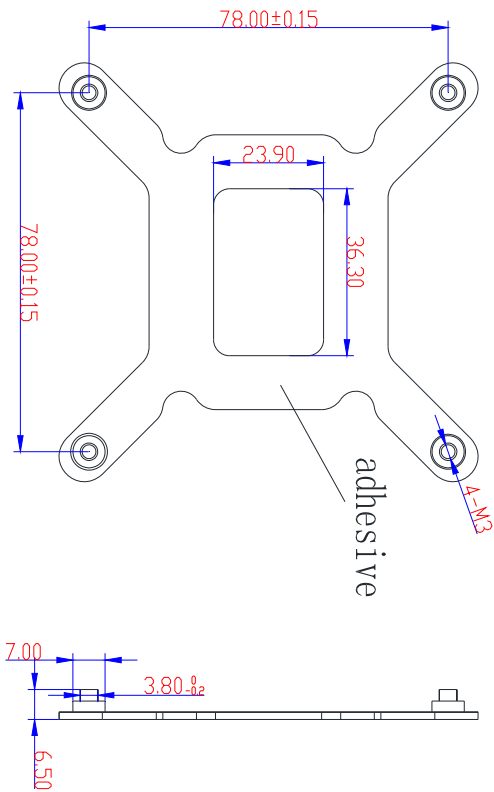
Fan Sticker

Back plate Dimension

backplate for LGA775 / 115x / 1200



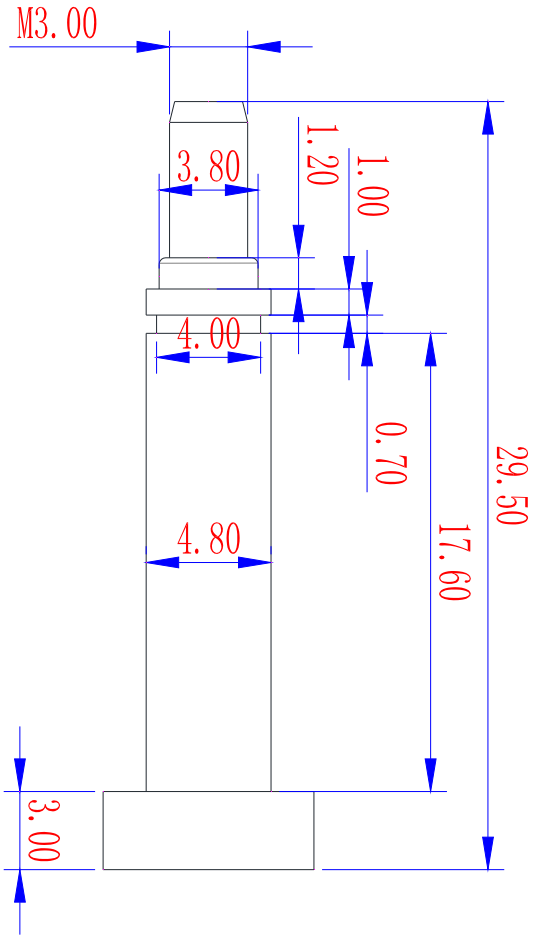
backplate for LGA1700



ZONE	REV.	REVISIONS	DESCRIPTION	DATE	APPROVED
V1.0		Primary Issue		20220420	

UNIT: MM	TOLERANCE: ±0.2mm	FRACTIONAL ±	ANGULAR: MACH ±°	BEND ±	TWO PLACE DECIMAL ±	THREE PLACE DECIMAL ±	DRAWN	CHECKED	ENG APPR	MFG APPR	O/A	COMMENTS	NAME	DATE	MODEL NO.	PR. NO.	PRODUCT NAME:	backplate	REV. V 1.0
FINISH	DD NDT SCALE DRAWING	DD NDT SCALE DRAWING	DD NDT SCALE DRAWING	DD NDT SCALE DRAWING	DD NDT SCALE DRAWING	DD NDT SCALE DRAWING	DD NDT SCALE DRAWING	DD NDT SCALE DRAWING	DD NDT SCALE DRAWING	DD NDT SCALE DRAWING	DD NDT SCALE DRAWING	DD NDT SCALE DRAWING	DD NDT SCALE DRAWING	DD NDT SCALE DRAWING	DD NDT SCALE DRAWING	DD NDT SCALE DRAWING	DD NDT SCALE DRAWING	DD NDT SCALE DRAWING	DD NDT SCALE DRAWING
APPLICATION	USED ON	USED ON	USED ON	USED ON	USED ON	USED ON	USED ON	USED ON	USED ON	USED ON	USED ON	USED ON	USED ON	USED ON	USED ON	USED ON	USED ON	USED ON	USED ON
APPLICATION	USED ON	USED ON	USED ON	USED ON	USED ON	USED ON	USED ON	USED ON	USED ON	USED ON	USED ON	USED ON	USED ON	USED ON	USED ON	USED ON	USED ON	USED ON	USED ON

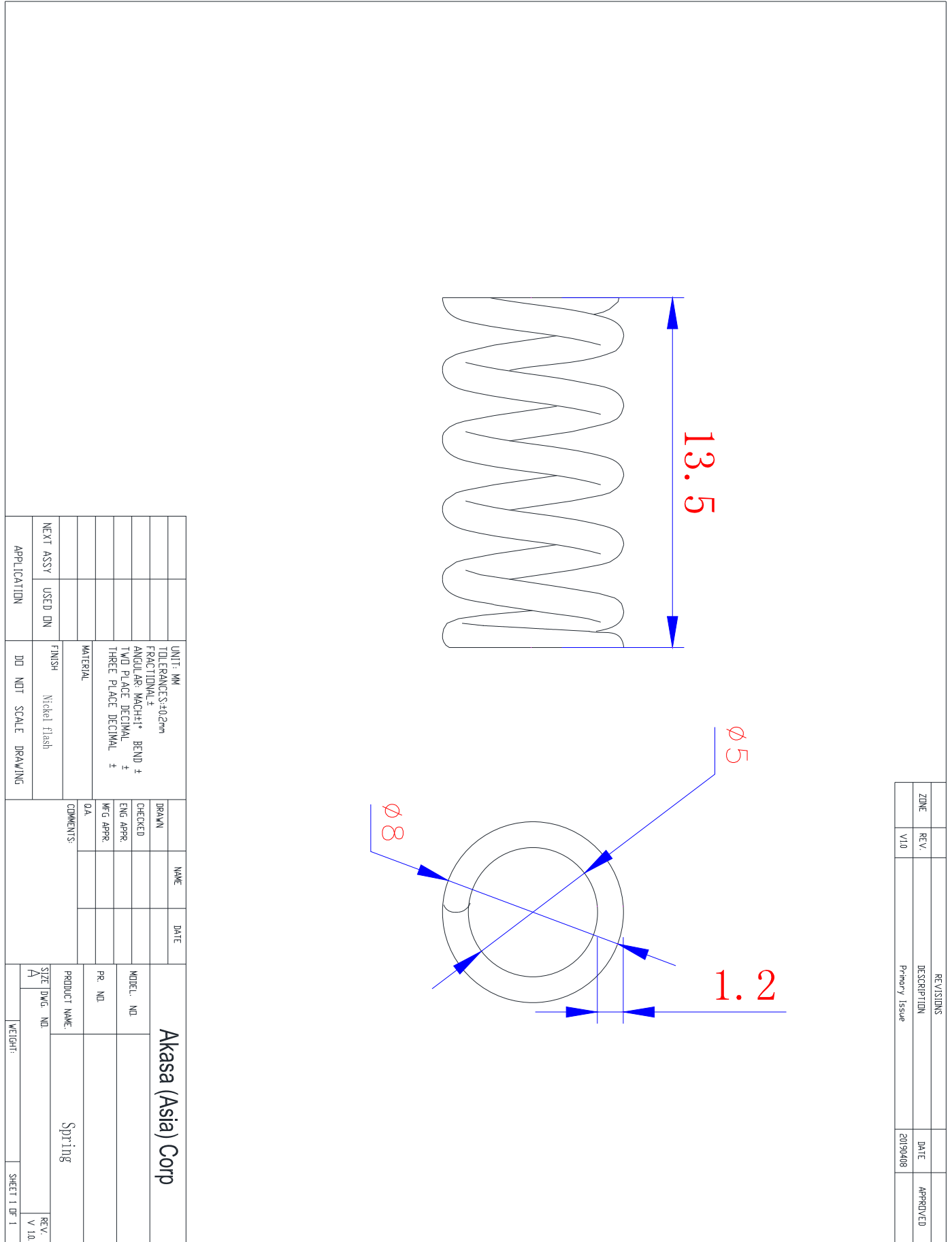
Screw Dimension



REVISIONS		DATE	APPROVED
ZONE	REV.	DESCRIPTION	
V1.0		Primary Issue	2019/04/08

UNIT: MM	UNIT: MM	DRAWN	NAME	DATE	Akasa (Asia) Corp
TOLERANCES: ±0.2mm	FRACTIONAL ±	CHECKED			
ANGULAR: MACH ±°	BEND ±	ENG APPR.			MODEL. NO.
TWO PLACE DECIMAL ±		MFG APPR.			PR. NO.
THREE PLACE DECIMAL ±		QA			PRODUCT NAME:
		COMMENTS:			AK-CCE-7107BP screw
MATERIAL	C1018				SIZE DWG. NO.
					A
FINISH	Heat treatment/rinckel flash				WEIGHT:
USED ON					SHEET 1 OF 1
APPLICATION		DD	NDT	SCALE	DRAWING
					REV. V 1.0

Spring Dimension



REVISIONS		DATE	APPROVED
ZONE	REV.	DESCRIPTION	
V1.0		Primary Issue	2019/04/08

UNIT: MM	TOLERANCES: ±0.2mm	DRAWN	NAME	DATE	Akasa (Asia) Corp MODEL. NO. PR. NO. PRODUCT NAME: Spring
FRACTIONAL ±	ANGULAR: MACH1° BEND ±	CHECKED			
TWO PLACE DECIMAL ±	THREE PLACE DECIMAL ±	ENG APPR.			
		MFG APPR.			
		QA			
NEXT ASSY	USED ON	FINISH	Nickel Flash	COMMENTS:	
APPLICATION	DD	DD	DD	SCALE	DRAWING
		SIZE DWG. NO.	A	WEIGHT:	SHEET 1 OF 1
		REV.	V 1.0		

Thermal grease specification

DOW CORNING

DOW CORNING CORPORATION Material Safety Data Sheet

DOW CORNING(R) SC 102 COMPOUND

1. IDENTIFICATION OF THE SUBSTANCE AND OF THE COMPANY

Dow Corning Corporation
South Saginaw Road
Midland, Michigan 48686

24 Hour Emergency Telephone: (989) 496-5900
Customer Service: (989) 496-6000
Product Disposal Information: (989) 496-6315
CHEMTREC: (800) 424-9300

MSDS No.: 02502321

Revision Date: 2003/09/10

Generic Description: Silicone compound
Physical Form: Paste
Color: White
Odor: Odorless

NFPA Profile: Health 0 Flammability 1 Instability/Reactivity 0

Note: NFPA = National Fire Protection Association

2. OSHA HAZARDOUS COMPONENTS

None present. This is not a hazardous material as defined in the OSHA Hazard Communication Standard.

3. EFFECTS OF OVEREXPOSURE

Acute Effects

Eye: Direct contact may cause temporary redness and discomfort.
Skin: No significant irritation expected from a single short-term exposure.
Inhalation: No significant effects expected from a single short-term exposure.
Oral: Low ingestion hazard in normal use.

Prolonged/Repeated Exposure Effects

Skin: No known applicable information.
Inhalation: No known applicable information.
Oral: No known applicable information.

Signs and Symptoms of Overexposure

No known applicable information.

Medical Conditions Aggravated by Exposure

No known applicable information.

The above listed potential effects of overexposure are based on actual data, results of studies performed upon similar compositions, component data and/or expert review of the product. Please refer to Section 11 for the detailed toxicology information.

DOW CORNING(R) SC 102 COMPOUND**4. FIRST AID MEASURES**

Eye:	Immediately flush with water.
Skin:	No first aid should be needed.
Inhalation:	No first aid should be needed.
Oral:	No first aid should be needed.
Comments:	Treat symptomatically.

5. FIRE FIGHTING MEASURES

Flash Point:	> 212 °F / > 100 °C (Seta Closed Cup)
Autoignition Temperature:	Not determined.
Flammability Limits in Air:	Not determined.
Extinguishing Media:	On large fires use dry chemical, foam or water spray. On small fires use carbon dioxide (CO ₂), dry chemical or water spray. Water can be used to cool fire exposed containers.
Fire Fighting Measures:	Self-contained breathing apparatus and protective clothing should be worn in fighting large fires involving chemicals. Determine the need to evacuate or isolate the area according to your local emergency plan. Use water spray to keep fire exposed containers cool.
Unusual Fire Hazards:	None.

Hazardous Decomposition Products

Thermal breakdown of this product during fire or very high heat conditions may evolve the following hazardous decomposition products: Silicon dioxide. Carbon oxides and traces of incompletely burned carbon compounds. Metal oxides. Formaldehyde.

6. ACCIDENTAL RELEASE MEASURES

Containment/Clean up:	Observe all personal protection equipment recommendations described in Sections 5 and 8. Wipe up or scrape up and contain for salvage or disposal. Clean area as appropriate since some silicone materials, even in small quantities, may present a slip hazard. Final cleaning may require use of steam, solvents or detergents. Dispose of saturated absorbant or cleaning materials appropriately, since spontaneous heating may occur. Local, state and federal laws and regulations may apply to releases and disposal of this material, as well as those materials and items employed in the cleanup of releases. You will need to determine which federal, state and local laws and regulations are applicable. Sections 13 and 15 of this MSDS provide information regarding certain federal and state requirements.
-----------------------	--

Note: See section 8 for Personal Protective Equipment for Spills. Call Dow Corning Corporation, (989) 496-5900, if additional information is required.

DOW CORNING(R) SC 102 COMPOUND**7. HANDLING AND STORAGE**

Use with adequate ventilation. Avoid eye contact.

Use reasonable care and store away from oxidizing materials.

8. EXPOSURE CONTROLS / PERSONAL PROTECTION**Component Exposure Limits**

There are no components with workplace exposure limits.

Engineering Controls

Local Ventilation: None should be needed.
General Ventilation: Recommended.

Personal Protective Equipment for Routine Handling

Eyes: Use proper protection - safety glasses as a minimum.
Skin: Washing at mealtime and end of shift is adequate.
Suitable Gloves: No special protection needed.
Inhalation: No respiratory protection should be needed.
Suitable Respirator: None should be needed.

Personal Protective Equipment for Spills

Eyes: Use proper protection - safety glasses as a minimum.
Skin: Washing at mealtime and end of shift is adequate.
Inhalation/Suitable Respirator: No respiratory protection should be needed.

Precautionary Measures: Avoid eye contact. Use reasonable care.

Comments: When heated to temperatures above 150 degrees C in the presence of air, product can form formaldehyde vapors. Formaldehyde is a potential cancer hazard, a known skin and respiratory sensitizer, and an irritant to the eyes, nose, throat, skin, and digestive system. Safe handling conditions may be maintained by keeping vapor concentrations within the OSHA Permissible Exposure Limit for formaldehyde.

Note: These precautions are for room temperature handling. Use at elevated temperature or aerosol/spray applications may require added precautions.

9. PHYSICAL AND CHEMICAL PROPERTIES

DOW CORNING(R) SC 102 COMPOUND

Physical Form: Paste
 Color: White
 Odor: Odorless
 Specific Gravity @ 25°C: 2.34
 Viscosity: Not determined.
 Freezing/Melting Point: Not determined.
 Boiling Point: Not determined.
 Vapor Pressure @ 25°C: Not determined.
 Vapor Density: Not determined.
 Solubility in Water: Not determined.
 pH: Not determined.
 Volatile Content: Not determined.

Note: The above information is not intended for use in preparing product specifications. Contact Dow Corning before writing specifications.

10. STABILITY AND REACTIVITY

Chemical Stability: Stable.
 Hazardous Polymerization: Hazardous polymerization will not occur.
 Conditions to Avoid: None.
 Materials to Avoid: Oxidizing material can cause a reaction.

11. TOXICOLOGICAL INFORMATION**Special Hazard Information on Components**

No known applicable information.

12. ECOLOGICAL INFORMATION**Environmental Fate and Distribution**

Complete information is not yet available.

Environmental Effects

Complete information is not yet available.

Fate and Effects in Waste Water Treatment Plants

Complete information is not yet available.

Ecotoxicity Classification Criteria

Hazard Parameters (LC50 or EC50)	High	Medium	Low
Acute Aquatic Toxicity (mg/L)	<=1	>1 and <=100	>100
Acute Terrestrial Toxicity	<=100	>100 and <= 2000	>2000

This table is adapted from "Environmental Toxicology and Risk Assessment", ASTM STP 1179, p.34, 1993.

DOW CORNING(R) SC 102 COMPOUND

This table can be used to classify the ecotoxicity of this product when ecotoxicity data is listed above. Please read the other information presented in the section concerning the overall ecological safety of this material.

13. DISPOSAL CONSIDERATIONS**RCRA Hazard Class (40 CFR 261)**

When a decision is made to discard this material, as received, is it classified as a hazardous waste? No

State or local laws may impose additional regulatory requirements regarding disposal.

Call Dow Corning Corporate Environmental Management, (989) 496-6315, if additional information is required.

14. TRANSPORT INFORMATION**DOT Road Shipment Information (49 CFR 172.101)**

Not subject to DOT.

Ocean Shipment (IMDG)

Not subject to IMDG code.

Air Shipment (IATA)

Not subject to IATA regulations.

Call Dow Corning Transportation, (989) 496-8577, if additional information is required.

15. REGULATORY INFORMATION

Contents of this MSDS comply with the OSHA Hazard Communication Standard 29 CFR 1910.1200.

TSCA Status: All chemical substances in this material are included on or exempted from listing on the TSCA Inventory of Chemical Substances.

EPA SARA Title III Chemical Listings**Section 302 Extremely Hazardous Substances:**

None.

Section 304 CERCLA Hazardous Substances:

None.

Section 312 Hazard Class:

Acute: No
Chronic: No
Fire: No
Pressure: No
Reactive: No

Package information

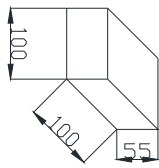
(Item)		(Specification/Condition)
01	Dimension	520*215*195mm

30 pcs in a BOX

Product Brown box packaging

(Brown box dimension: 100x100x55mm)

Brown BOX Dimension: 100x100x55MM



BOX Dimension: 520x215x195MM

